

See Figure 1, Step 10, for the Input Power Connector location on the cryopump.

1. Insert flat blade screwdriver into Power Cable Clamp Slot (Slot) and move it away from Power Cable Connector Cap (Cap).
Slot mechanism holds screwdriver in place.
The Power Cable Clamp (Clamp not visible) releases Cap and Locking Tab appears.
2. Remove Cap.
3. Plug Input Power Cable into Input Power Cable Connector on module, and then rotate Connector Collar (not visible) until tight.
4. Remove screwdriver to lower Clamp. This secures Input Power Cable.
5. Connect appropriate ground and leads of Input Power Cable to local **208 VAC, 50/60 Hz Single-Phase, 5 Amp** source.

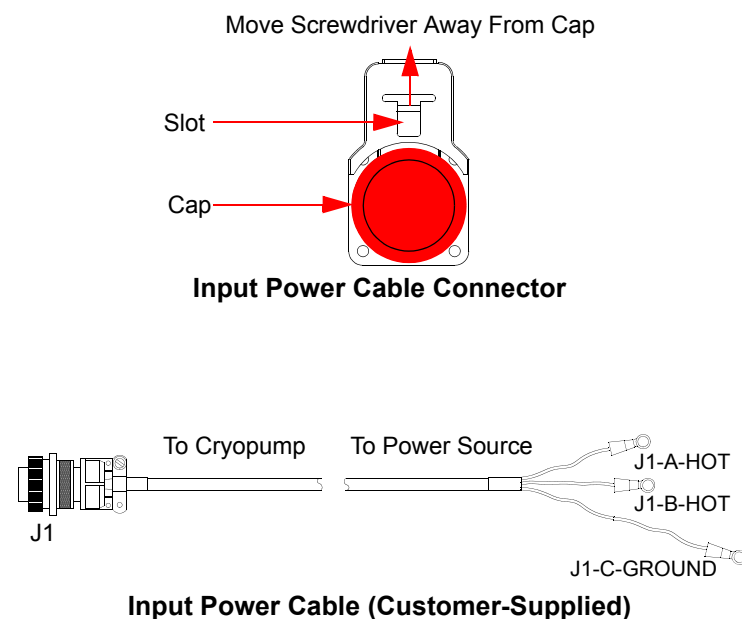


Figure 2: Input Power Cable Connector and Input Power Cable

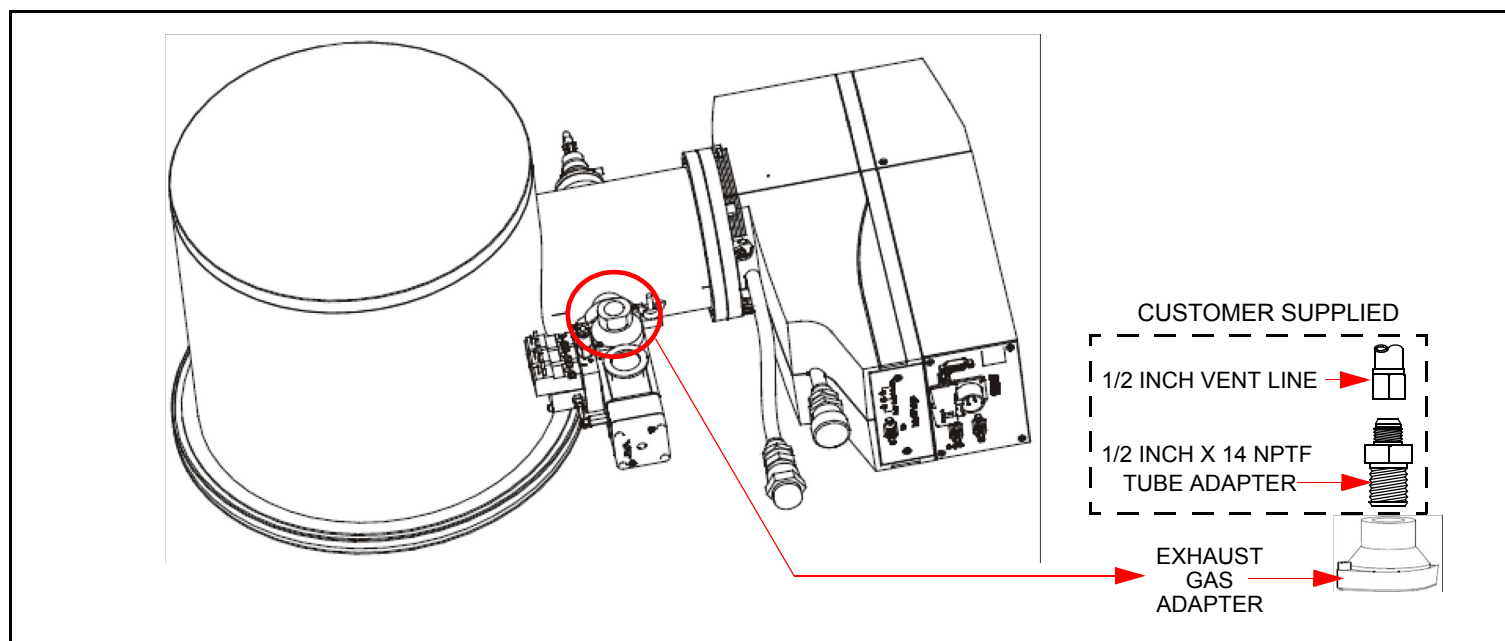


Figure 3: Relief Valve Exhaust Connection

Startup the Cryopump

See 8040647, *On-Board IS Cryopump System Operation Guide*, for details.

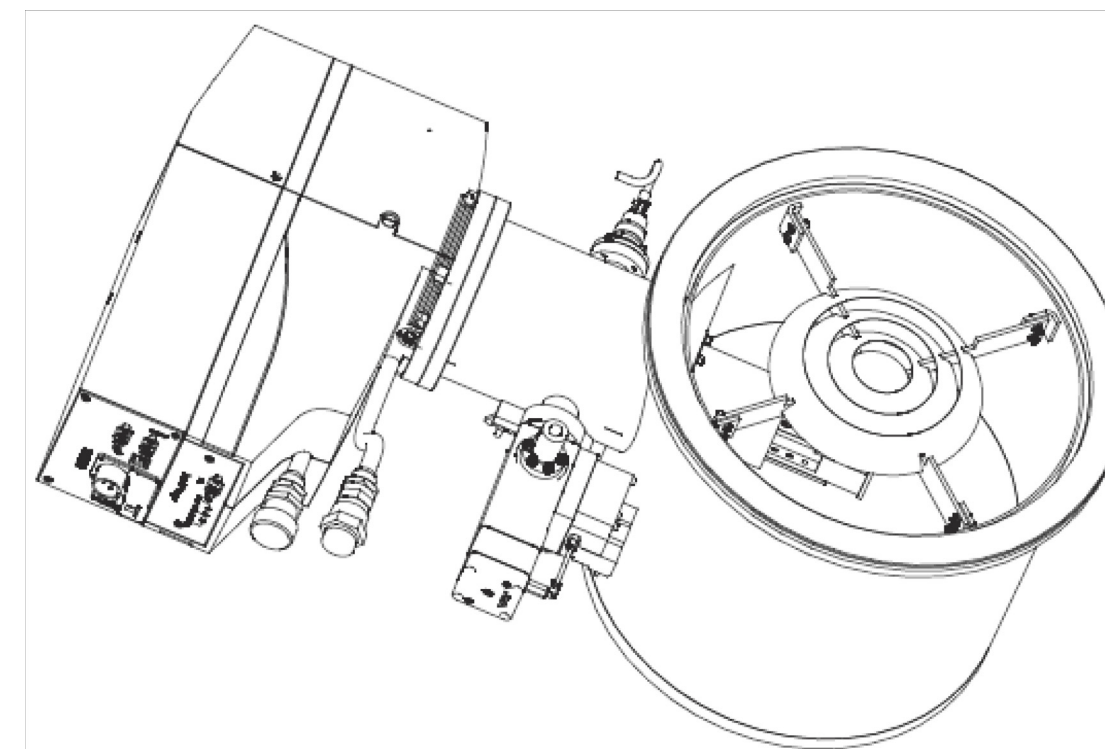
Product Information and Technical Support

Please visit the Brooks Automation website at www.brooks.com or email to tscallcenter@brooks.com.

On-Board[®] IS 320FE Cryopump Quick Installation Guide

Part Number 8040721, Revision A, 01/11/2013

ECO Number 63723



Cryopump Facility Requirements





| Electrical Power | Roughing Valve | Air Supply |
|--|---|--|
| 208 VAC (Range: 180-253 VAC) 5 Amps 50/60 Hz Single phase | NW-25 ISO KF flange Nitrogen connection is customer defined. | 60 - 80 psig 1/4 inch tube connection |

Before You Start

1. Ensure On-Board IS 1000 Compressors are installed according to 8040645, *On-Board IS 1000 Compressor Quick Installation Guide*.
2. Read and follow all safety notices in this guide and in the appropriate compressor guides.

Cryopump Safety

Ensure the cryopump operates safely and dependably by adhering to all safety notices when you use or service the cryopump.

| | |
|---|---|
|  | <p style="text-align: center;">⚠ WARNING</p> <p style="text-align: center;">Toxic, Corrosive, Flammable or Explosive Materials</p> <ol style="list-style-type: none"> 1. To prevent personal injury, over pressurization, and equipment damage, always vent toxic, corrosive, or flammable materials to a safe location using an inert gas. 2. Clearly identify toxic, corrosive, or flammable materials on shipping containers when you ship equipment that contacted these materials. 3. To prevent flammable gas ignition, do not install a hot filament type vacuum gauge on the high-vacuum side of the isolation valve. 4. To prevent explosions, be aware of ozone as a by-product of an oxygen process, and take the appropriate precautions. |
|  | <p style="text-align: center;">⚠ WARNING</p> <p style="text-align: center;">High Voltage Electric Shock Hazard</p> <ol style="list-style-type: none"> 1. To avoid electric shock, disconnect the cryopump from all power sources before making electrical connections between system components, and before performing troubleshooting or maintenance procedures. 2. When you connect the cryopump to a power source, ensure it is a 208 VAC, Single-Phase 5 Amp source. |
|  | <p style="text-align: center;">⚠ CAUTION</p> <p style="text-align: center;">Heavy Object</p> <p>To avoid injury when moving the cryopump, use a lifting aid and proper lifting techniques.</p> |
|  | <p style="text-align: center;">⚠ CAUTION</p> <p style="text-align: center;">High Pressure Gas Hazard</p> <p>To avoid injury from unexpectedly propelled objects, always bleed the helium charge to atmospheric pressure before servicing or disassembling the self-sealing couplings.</p> |

NOTE: To avoid loss of helium, do not modify or remove the pressure relief valves. (See *Figure 3*.) Always connect and disconnect helium flex lines with the method illustrated in *Figure 1 Inset*.

Cryopump Connections

See the following numbered steps in *Figure 1*, *Figure 2*, and *Figure 3* for cryopump installation connections.

NOTE: Before mounting the cryopump to the vacuum system, ensure that a high-vacuum isolation (hi-vac) valve is installed between the cryopump and the vacuum chamber. This isolates the cryopump from the chamber during rough pumping, cooldown, and regeneration.

NOTE: Install the cryopump in any orientation. This does not affect its performance.

The number of cryopumps connected to each compressor (your installation) varies based on the cryopump models you use. Consult Technical Support for information about specific cryopump and compressor applications.

- 1 Remove flange cover (not visible).
- 2 Clean centering ring, o-ring, and flange.
- 3 Attach cryopump to the hi-vac valve with clamps.
- 4 Connect the pressure relief valve exhaust (*Figure 3*).
- 5 Connect purge valve gas 25-30 PSIG; 4.25 SCFM Min. available.
- 6 Connect relief valve gas.
- 7 Attach to roughing system.
- 8 Remove dust plug and connect (tighten) helium supply line (*Figure 1 Inset*).
- 9 Remove dust cap and connect (tighten) helium return line (*Figure 1 Inset*).
- 10 Connect position sensors for Intellipurge System.
- 11 Connect network cables. See 8040648, *On-Board IS Controller Quick Installation Instructions*.
- 12 Connect On-Board IS Remote keypad, if you communicate directly with cryopump.
- 13 Remove cap and connect Input Power Cable (*Figure 2*).

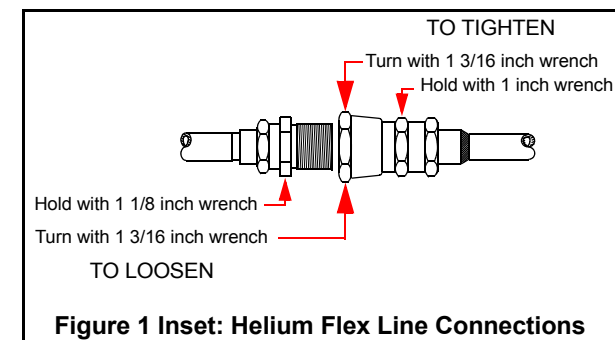
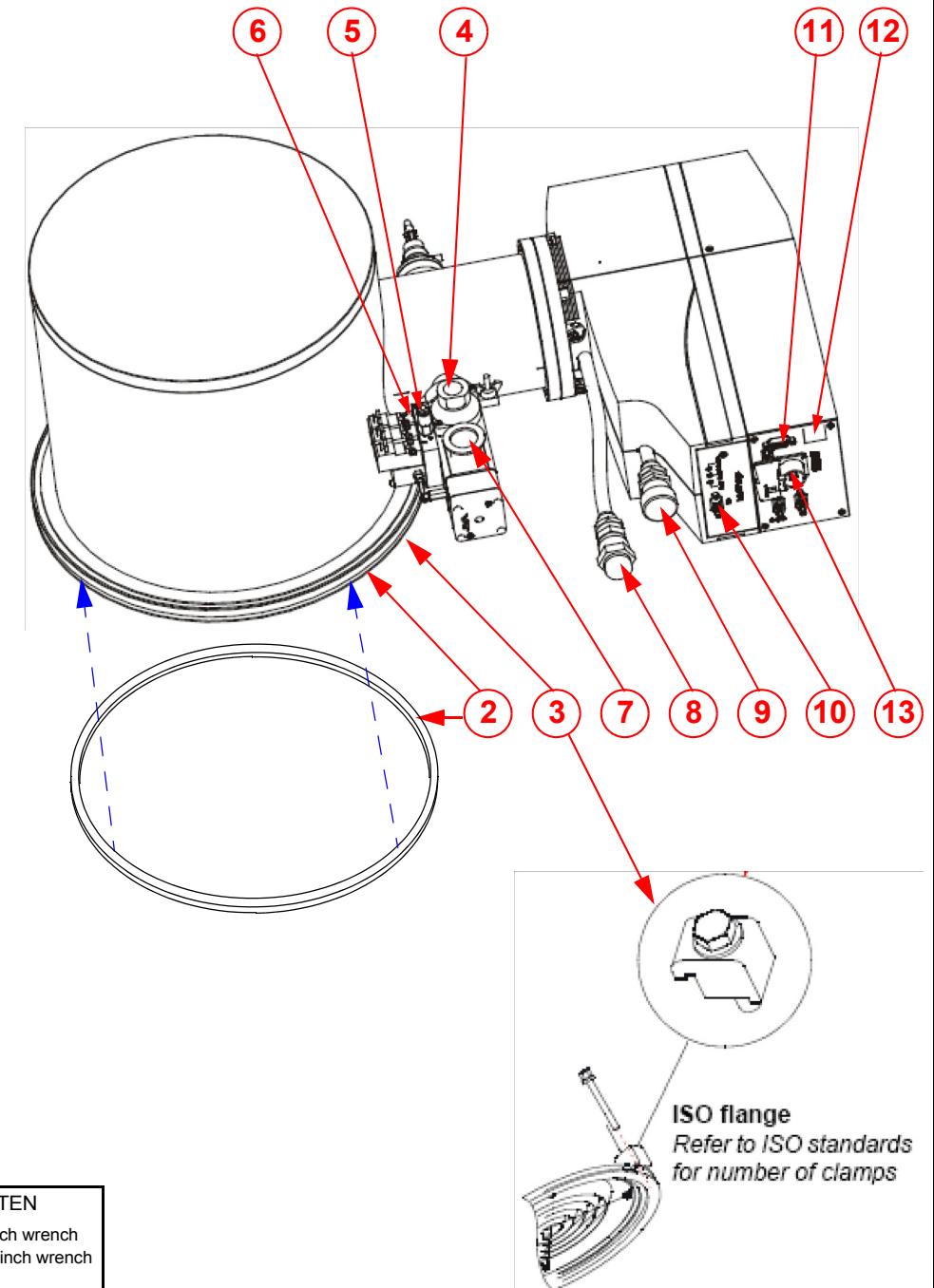


Figure 1: Cryopump Basic Connections